

Part number:

**006-10061**

**HYDROMA**

HYDRAULICKÉ SYSTÉMY

**HIDROMA  
SISTEMS**

UKŁADY HYDRAULICZNE

**HYDROMA**

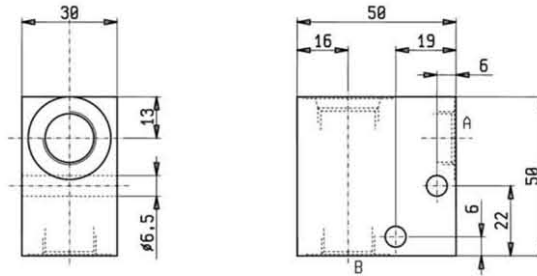
ГИДРАВЛИЧЕСКИЕ СИСТЕМЫ

**MANIFOLDS - SLEEVES - ACCESSORIES  
STANDARD MANIFOLDS**

**2 WAY ALUMINUM**

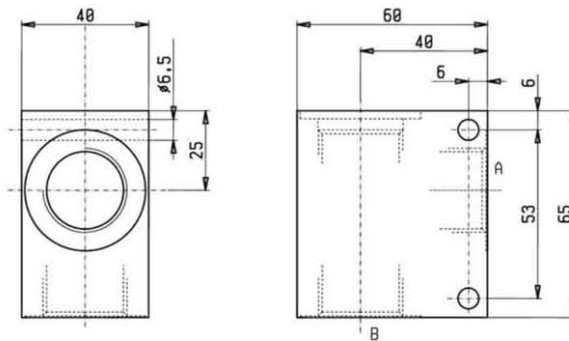
<b>CAVITY</b>	<b>018-E</b>
Dimensions on page	7.01.100

ORDERING CODE	PORTS A-B	WEIGHT Kg
OC.10.09.009	G 1/4	0.150
OC.10.09.004	G 3/8	0.150



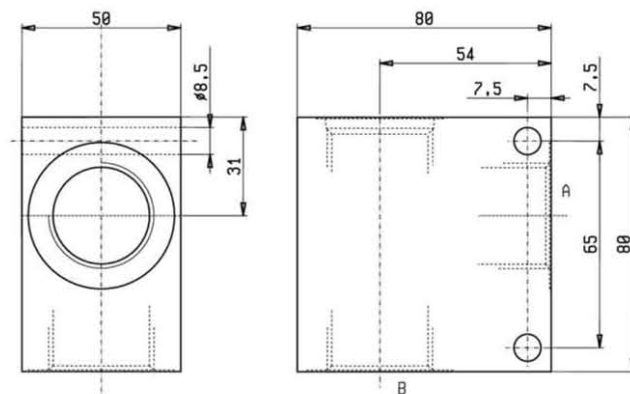
<b>CAVITY</b>	<b>017-E</b>
Dimensions on page	7.01.100

ORDERING CODE	PORTS A-B	WEIGHT Kg
OC.10.09.015	G 1/2	0.200
OC.10.09.012	G 3/4	0.200



<b>CAVITY</b>	<b>021-E</b>
Dimensions on page	7.01.110

ORDERING CODE	PORTS A-B	WEIGHT Kg
OC.10.09.017	G 3/4	0.620
OC.10.09.019	G 1	0.620



<b>MAX. PRESSURE</b>	<b>250 bar</b>	<b>FEATURES</b>
		Standard manifolds in high-strength aluminum for working pressures up to 250 bar.